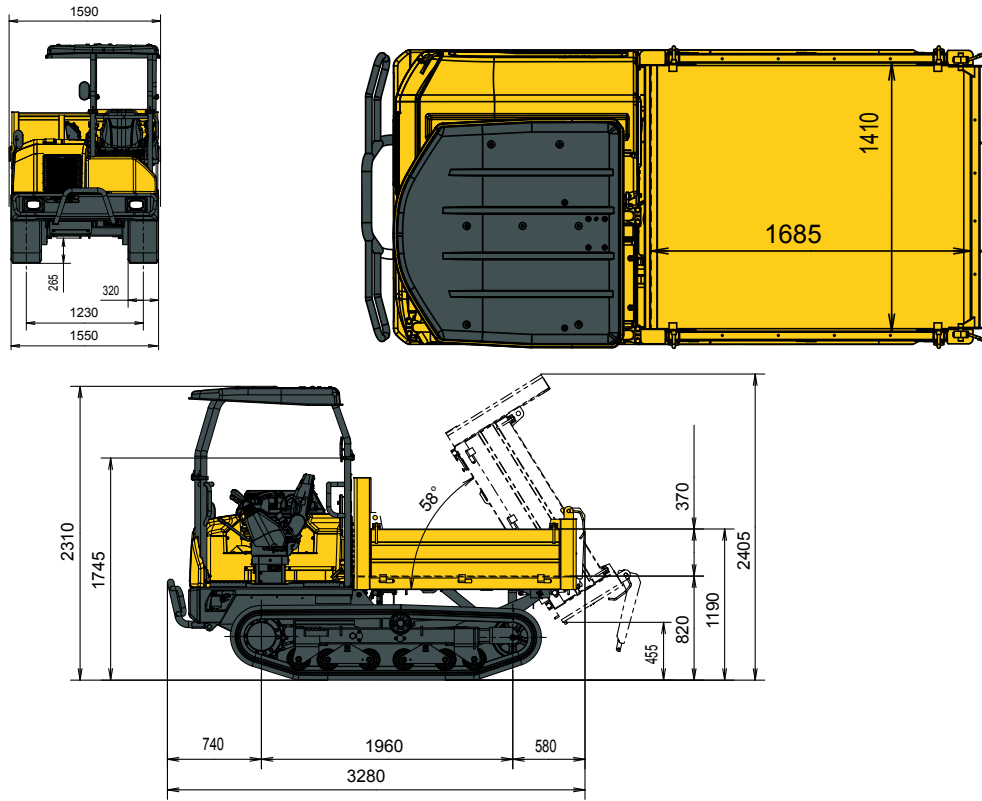
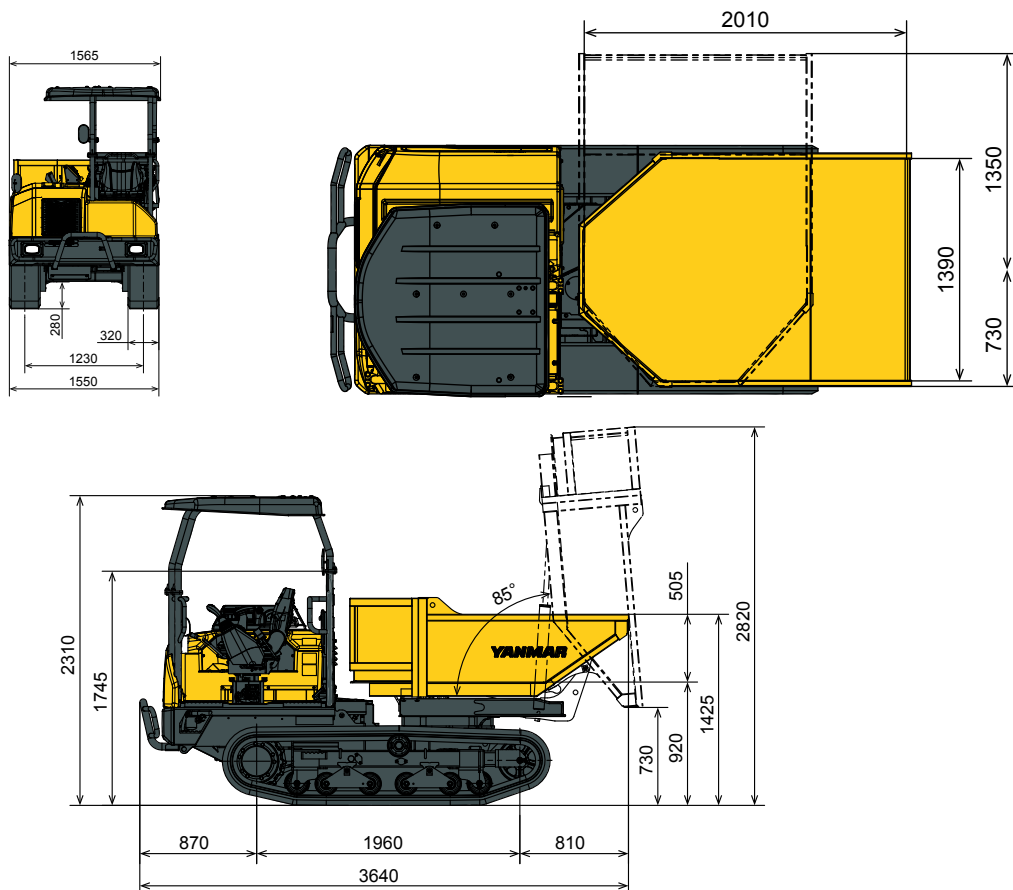


DIMENSIONS

C30R-3



C30R-3TV



MAINTENANCE FREQUENCY

[Change engine oil and filter: **50 hours (1st) / 500 hours (2nd)**] [Change fuel filter: **500 hours**] [Change hydraulic oil filter: **1000 hours**] [Change hydraulic oil return filter: **50 hours (1st) / 500 hours (2nd)**] [Change cooling fluid: **2000 hours**]

SPECIFICATIONS

[WEIGHT +/- 2% (EN STANDARDS)]

| | C30R-3 | C30R-3TV |
|------------------|----------|----------|
| Operating weight | 2 650 kg | 2 865 kg |
| Transport weight | 2 575 kg | 2 790 kg |
| Payload | 2 500 kg | 2 500 kg |

[ENGINE]

| | |
|----------------|---------------------------------|
| Type | 4TNV88C-KFW (Common Rail + DPF) |
| Fuel | Diesel |
| Gross power | 34,3 kW (at 2 800 rpm) |
| Net power | 32,5 kW (at 2 800 rpm) |
| Displacement | 2,189 l |
| Maximum torque | 134.5 – 146.2 N.m (at 1820 rpm) |
| Cooling | Water cooling |
| Starter | 12 V – 1.7 kW |
| Battery | 12 V – 72 Ah |
| Alternator | 12 V – 55 A |

[TRANSMISSION]

| | |
|-----------------------------------|----------------|
| Type | HST |
| 2 piston pumps with variable flow | 2 x 61,6 l/min |
| Max pressure | 350 bar |

[PERFORMANCE]

| | |
|---------------------------------------|-------------------------------|
| Max. travelling speed (low / high) | 5.7 / 11 km/h |
| Gradability | 30° |
| Noise level (2000/14/CE & 2005/88/CE) | Lwag = 98 dBA ; Lpag = 86 dBA |

[DUMPING SYSTEM]

| | C30R-3 | C30R-3TV |
|--|----------------------------|----------------------------|
| Dumping angle | 58° | 85° |
| Vessel dimensions (L x w x h) | 1 685 x 1 410 x 370 mm | 2 010 x 1 390 x 505 mm |
| Dumping mechanism | 3 sides | 180 ° dumping |
| Dump vessel capacity (struck / heaped) | 0,88 / 1,24 m ³ | 1,13 / 1,50 m ³ |
| Dump clearance | 455 mm | 730 mm |

[UNDERCARRIAGE]

| | C30R-3 | C30R-3TV |
|-------------------------------------|---------------------------------|---------------------------------|
| Track width | 320 mm | 320 mm |
| Ground clearance | 265 mm | 280 mm |
| Number of top rollers | 1 | 1 |
| Number of bottom rollers | 6 | 6 |
| Track tensioning system | Hydraulic adjuster | Hydraulic adjuster |
| Ground pressure (unloaded / loaded) | 0,28 / 0,55 kgf/cm ² | 0,30 / 0,57 kgf/cm ² |

[CAPACITIES]

| | |
|-------------------|------|
| Hydraulic tank | 28 l |
| Hydraulic circuit | 38 l |
| Fuel tank | 58 l |